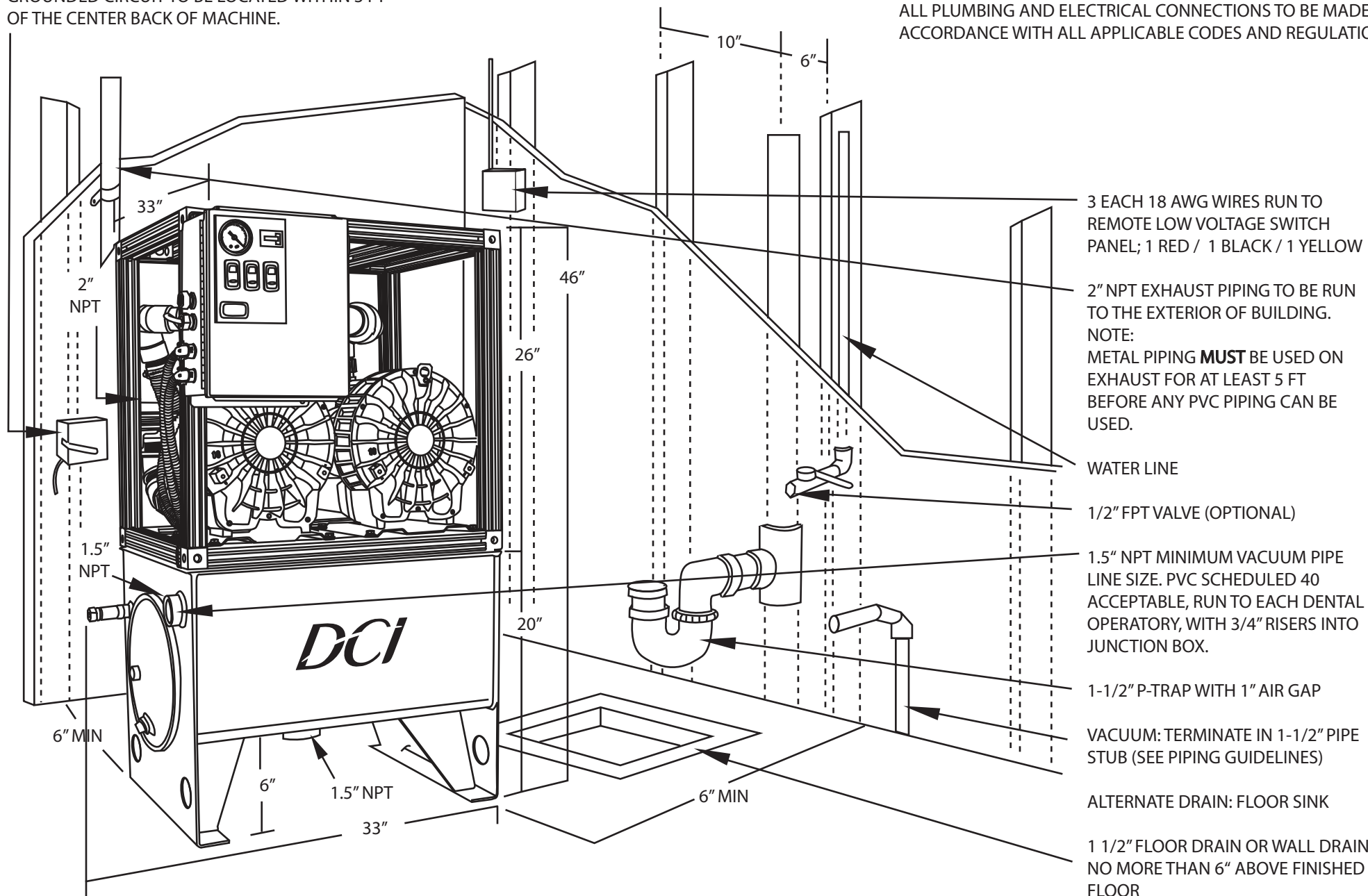


230 VOLT SINGLE PHASE, 20 AMP DEDICATED  
 GROUNDED CIRCUIT TO BE LOCATED WITHIN 3 FT  
 OF THE CENTER BACK OF MACHINE.

**\* FOR REFERENCE PURPOSES ONLY - NOT FOR CONSTRUCTION**

ALL PLUMBING AND ELECTRICAL CONNECTIONS TO BE MADE IN  
 ACCORDANCE WITH ALL APPLICABLE CODES AND REGULATIONS.



3 EACH 18 AWG WIRES RUN TO  
 REMOTE LOW VOLTAGE SWITCH  
 PANEL; 1 RED / 1 BLACK / 1 YELLOW

2" NPT EXHAUST PIPING TO BE RUN  
 TO THE EXTERIOR OF BUILDING.

NOTE:  
 METAL PIPING **MUST** BE USED ON  
 EXHAUST FOR AT LEAST 5 FT  
 BEFORE ANY PVC PIPING CAN BE  
 USED.

WATER LINE

1/2" FPT VALVE (OPTIONAL)

1.5" NPT MINIMUM VACUUM PIPE  
 LINE SIZE. PVC SCHEDULED 40  
 ACCEPTABLE, RUN TO EACH DENTAL  
 OPERATOR, WITH 3/4" RISERS INTO  
 JUNCTION BOX.

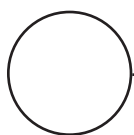
1-1/2" P-TRAP WITH 1" AIR GAP

VACUUM: TERMINATE IN 1-1/2" PIPE  
 STUB (SEE PIPING GUIDELINES)

ALTERNATE DRAIN: FLOOR SINK

1 1/2" FLOOR DRAIN OR WALL DRAIN  
 NO MORE THAN 6" ABOVE FINISHED  
 FLOOR

**DCI**



V- and DV-Series Deluxe Dry Vacuum

\*Not to Scale