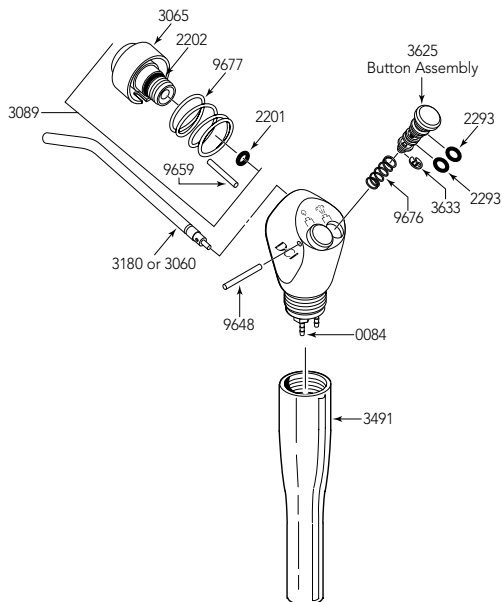
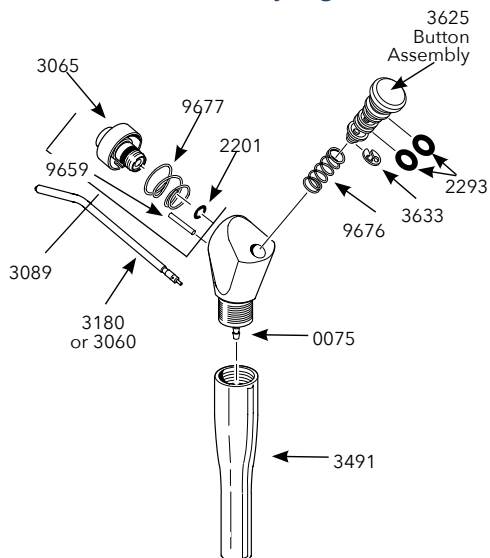


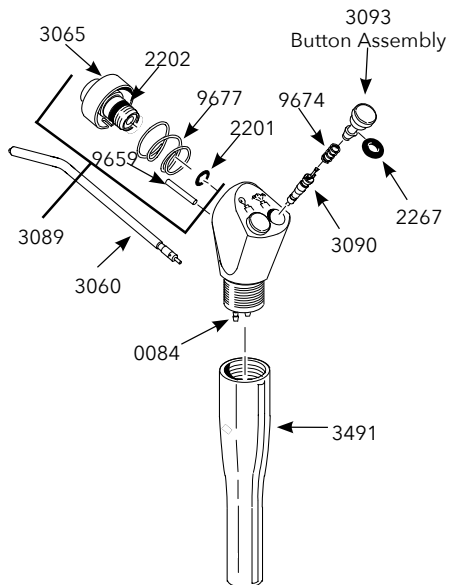
Precision Comfort® Syringe



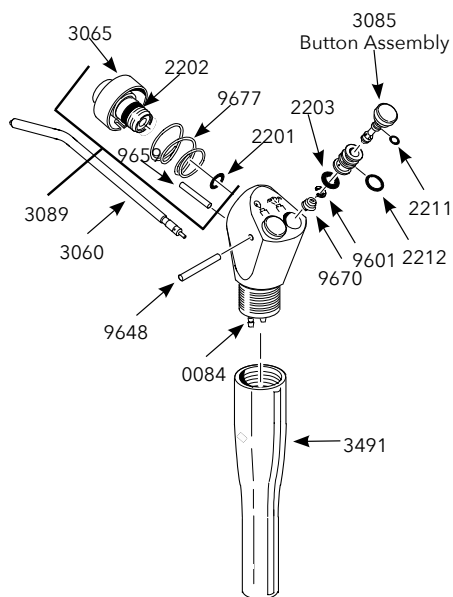
Precision Comfort® One-Button Syringe



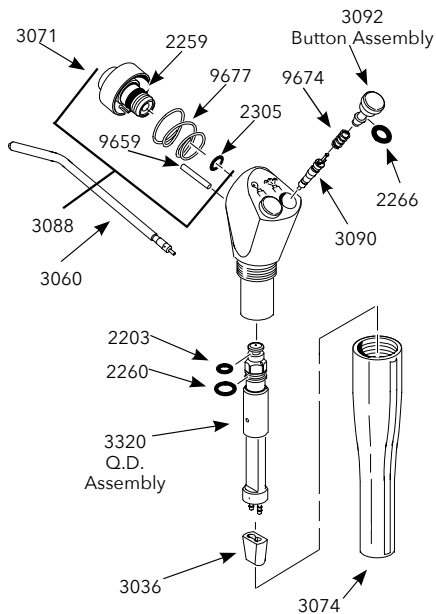
Quick-Clean® Valve Core Syringe



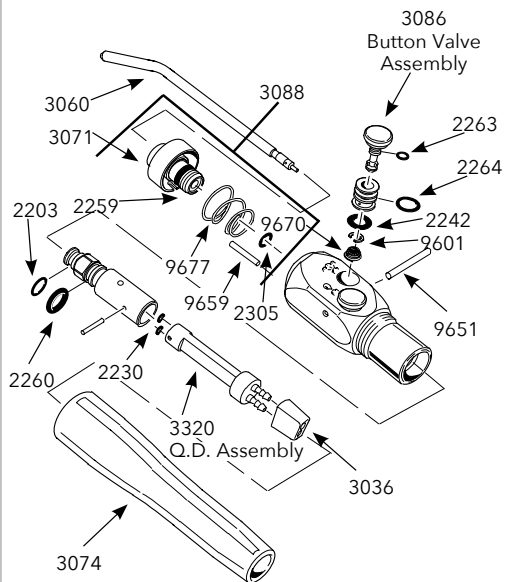
Quick-Clean® Standard Syringe



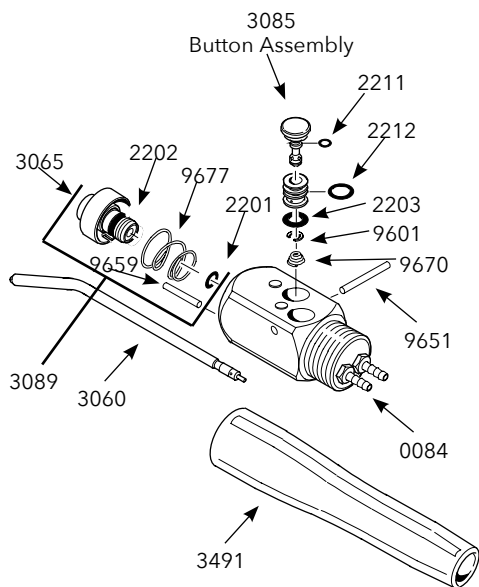
Autoclavable Syringe



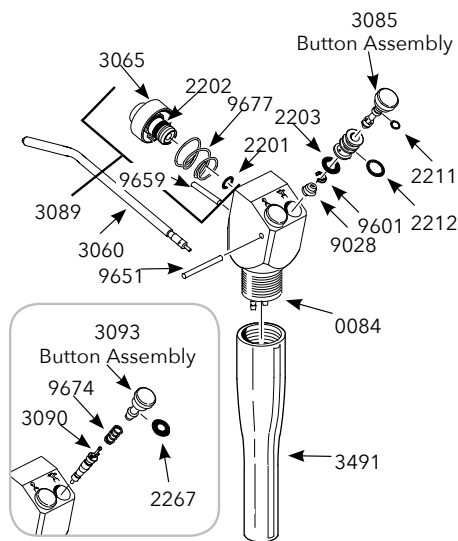
Autoclavable Euro-Style Syringe



Quick-Clean® Euro-Style Syringe



Traditional Syringe



All DCI Syringe Parts

0075	Barb, 10-32 & Washer (pkg of 10).....	\$5.60	3085	Button Valve Assembly.....	\$9.00
0084	Barb, 8-32 & Washer (pkg of 10).....	\$6.50	3086	Button Valve, Autoclavable.....	\$11.00
0085	Nylon Washer 8-32 (pkg of 10).....	\$3.10	3088	Autoclavable Quick-Change Kit.....	\$28.80
2201	O-Ring (pkg of 12).....	\$2.90	3089	Quick-Change® Tip Adapter Kit.....	\$27.80
2202	O-Ring (pkg of 12).....	\$2.90	3090	Valve Core (pkg of 10).....	\$6.00
2203	O-Ring (pkg of 12).....	\$2.90	3092	Autoclavable Button Assembly.....	\$9.20
2211	O-Ring (pkg of 12).....	\$2.90	3093	Button Assembly, QC Syringe.....	\$9.20
2212	O-Ring (pkg of 12).....	\$2.90	3180	Indexing Syringe Tip.....	\$5.90
2230	O-Ring (pkg of 12).....	\$2.90	3320	Quick Disconnect Assembly.....	\$98.00
2242	O-Ring (pkg of 12).....	\$5.70	3491	Handle, Quick-Clean® Syringe.....	\$8.20
2259	O-Ring (pkg of 12).....	\$8.10	3625	Precision Comfort™ Syringe Button w/ Spring.....	\$9.20
2260	O-Ring (pkg of 12).....	\$8.10	3633	Retaining Ring.....	\$2.00
2263	O-Ring (pkg of 12).....	\$8.10	9028	Spring Conical (pkg of 10).....	\$6.90
2264	O-Ring (pkg of 12).....	\$8.10	9601	Retaining Ring.....	\$2.00
2266	O-Ring (pkg of 12).....	\$9.50	9648	Pin, Quick-Clean® Syringe Button.....	\$1.40
2267	O-Ring (pkg of 12).....	\$2.90	9651	Pin, Syringe Button.....	\$1.40
2293	O-Ring (pkg of 12).....	\$2.90	9659	Pin, Tip Adapter.....	\$0.50
2305	O-Ring (pkg of 12).....	\$8.10	9670	Spring, Syringe Button.....	\$0.70
3036	Tubing Sleeve (1 ea.).....	\$2.10	9674	Spring, Syringe Button.....	\$0.70
3059	Syringe Tip (pkg of 50).....	\$200.00	9676	Spring, Syringe Button.....	\$0.70
3060	Syringe Tip (1 ea.).....	\$4.80	9677	Spring, Tip Adapter.....	\$0.50
3061	Syringe Tip (pkg of 5).....	\$23.50			
3065	Tip Adapter Assembly.....	\$24.70			
3071	Tip Adapter Assembly, Autoclavable.....	\$25.80			
3074	Handle, Autoclavable Syringe.....	\$10.30			

