

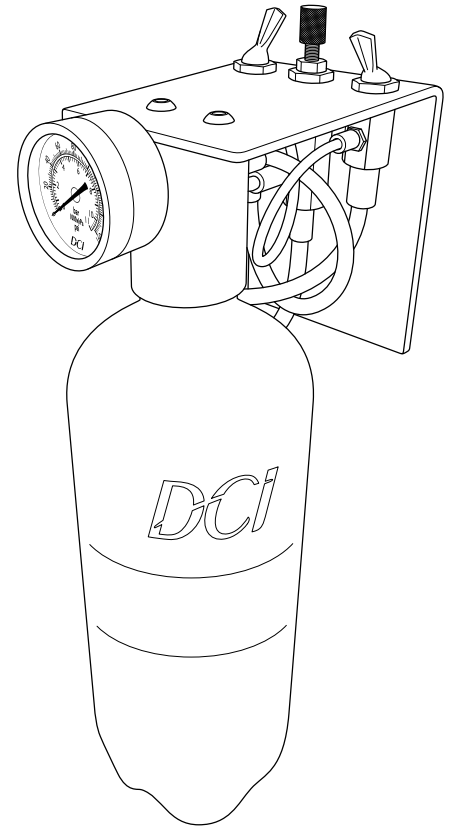
ECONOMY SELF-CONTAINED DELUXE WATER SYSTEM WITH SOURCE SELECTOR 4788E

Installation Instructions

DCI *EDGE*

THE FOLLOWING ITEMS ARE CONTAINED IN THIS PACKAGE:

- Remove the water system from packaging and inspect.
- For Wall Mounting, select a location, keeping in mind that the system must be accessible for easy bottle replacement and servicing.
- For Post Mounting use a 2" post mount DCI #8137 or #8162.
- Connect the Yellow 1/4" line to the Air Regulator at the utility center. Pressure should be between 40 PSI and 120 PSI.
- Connect the Dark Blue 1/4" line to the Water Distribution Block at the utility center.
- Connect the Light Blue 1/4" line to the Water Regulator at the utility center.



NORMAL OPERATION

- Install the bottle with water or solution you choose.
- Place Water Bottle On/Off Toggle located on the top right rear of bracket in "on" position (to rear).
- Check pressure gauge on front to assure that pressure reads 40 PSI, (Factory set at 40 PSI). If pressure needs to be adjusted, use regulator located on the top center rear of the bracket. Turn clockwise to increase pressure and counterclockwise to decrease pressure.

*** **CAUTION:** Pressure should not exceed 60 PSI ***

- The Selector Toggle located in the top left rear of the bracket is for selecting City Water or Bottle as your source. Toggle in rear position is for City Water; toggle in forward position is for bottle use.

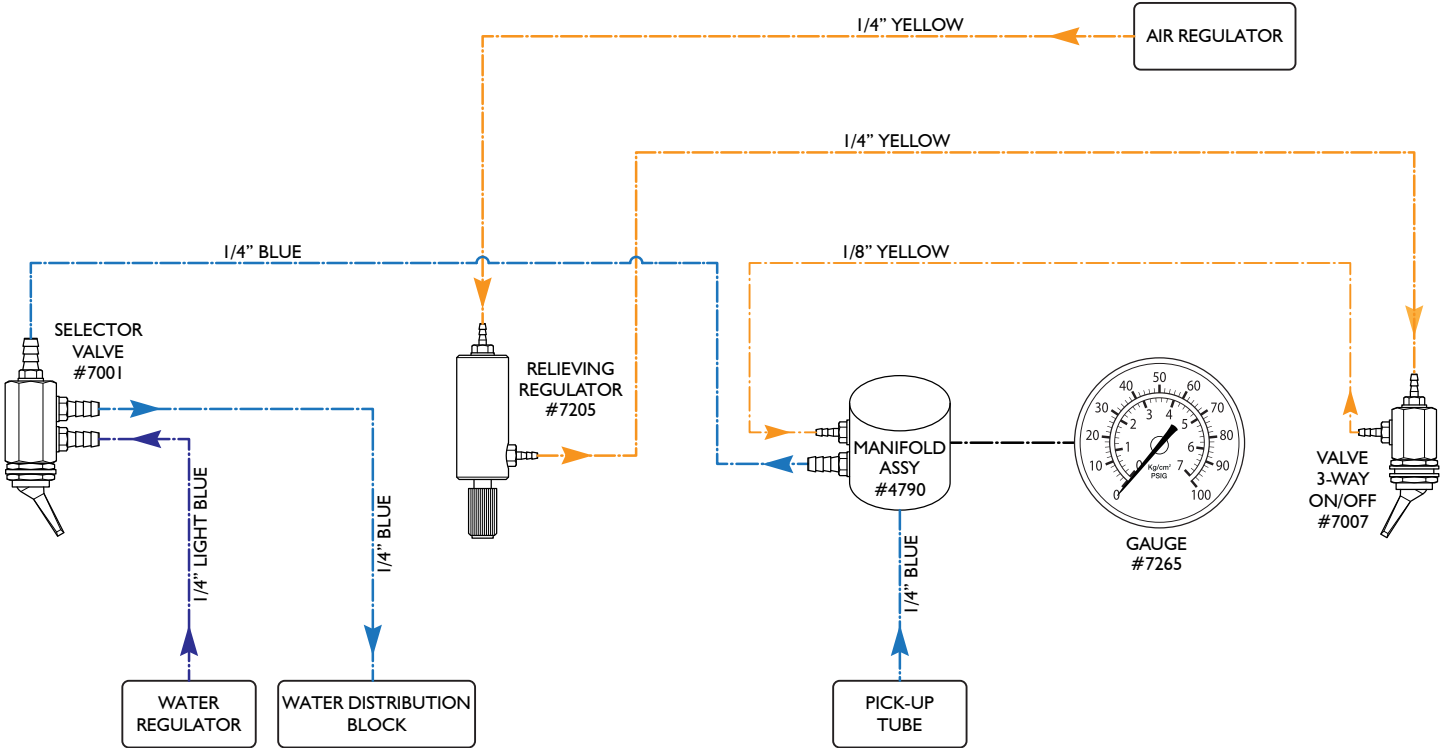
CHANGING BOTTLE

- Place Water Bottle On/Off Toggle located on the top right rear of bracket in "off" position (to front).
- Allow bottle to depressurize.
- Remove empty bottle.
- Replace with a filled bottle.
- Place Water Bottle On/Off Toggle located on the top right rear of bracket in "on" position (to rear).

SURFACE CLEANING

- The water system should be wiped down with a mild detergent solution.
- Harsh detergents or chemicals should not be used.

ECONOMY DELUXE WATER SYTEMS SCHEMATIC 4788E



DCI *EDGE*