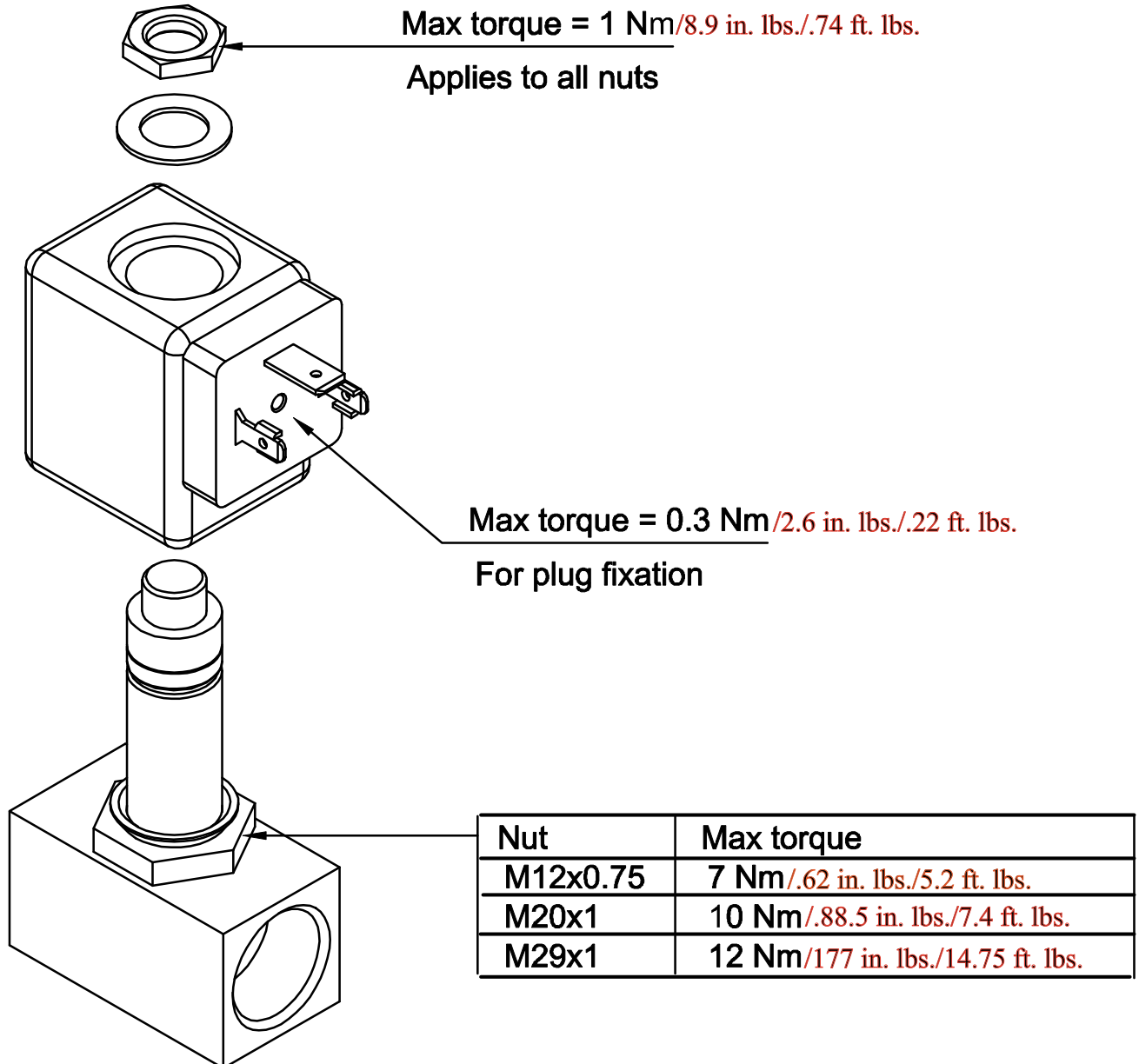




## TORQUE VALUES



### WARNING!

Adhere strictly to prescribed torque values.

Excessive use of force can cause severe damage to valve parts.