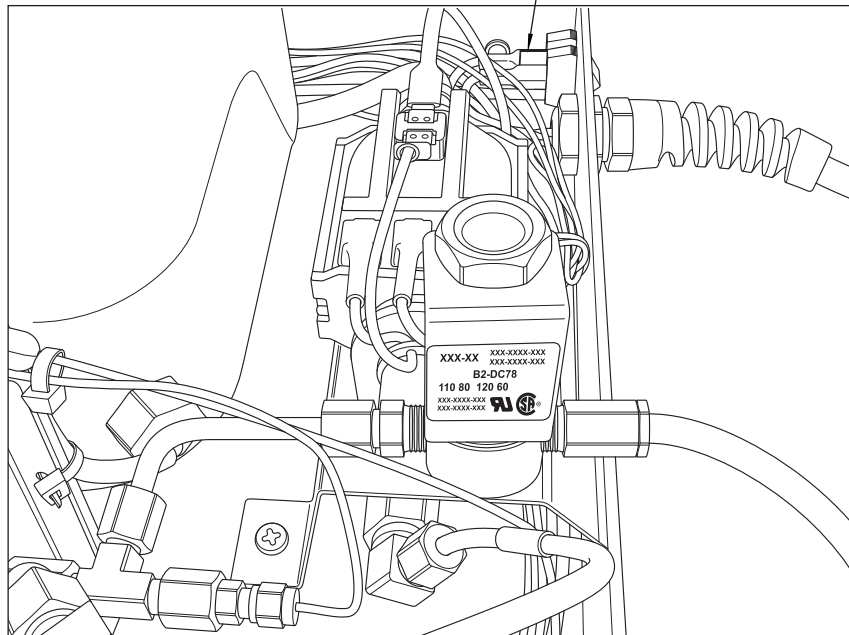
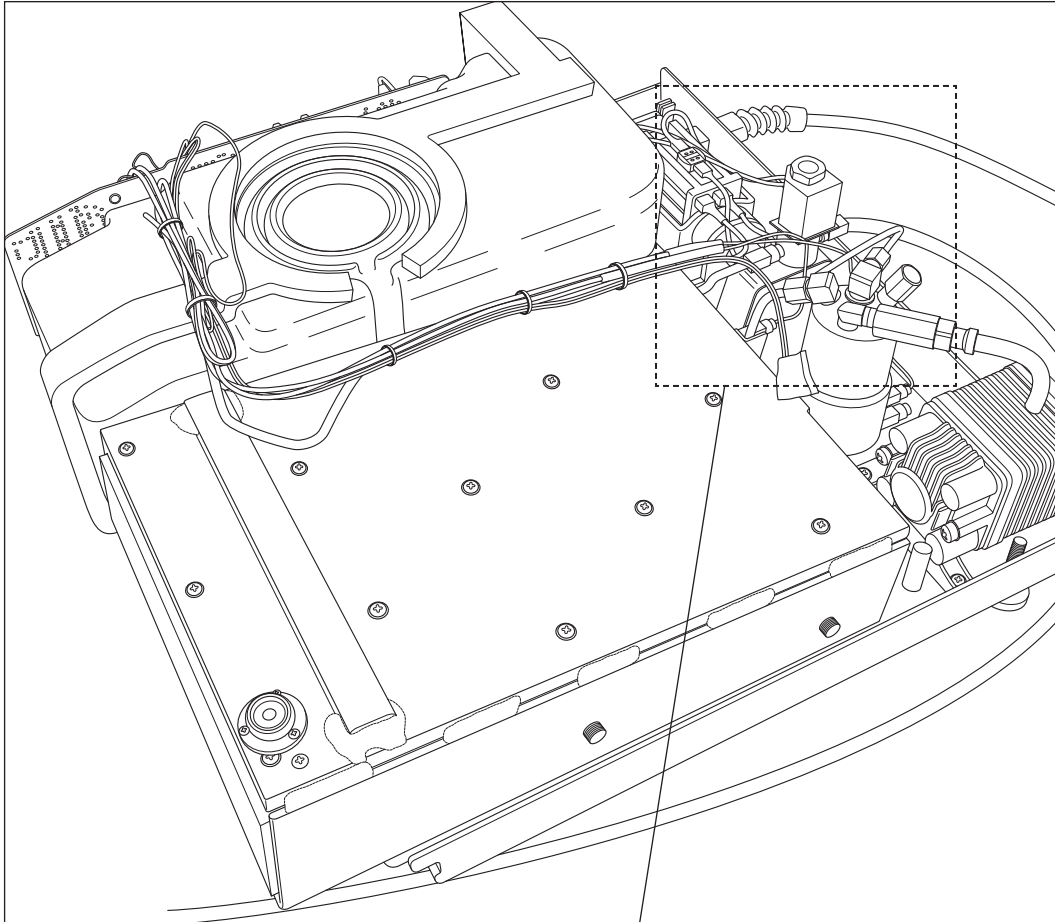


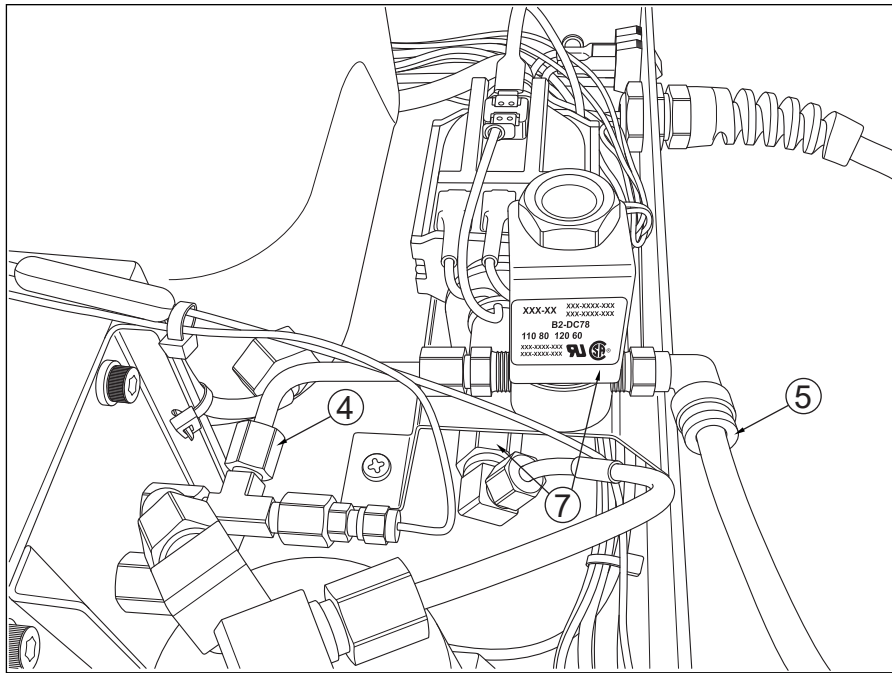
STATIM SOLENOID VALVE KIT 2000 & 5000 DCI 2910 & 2911 Installation Instructions



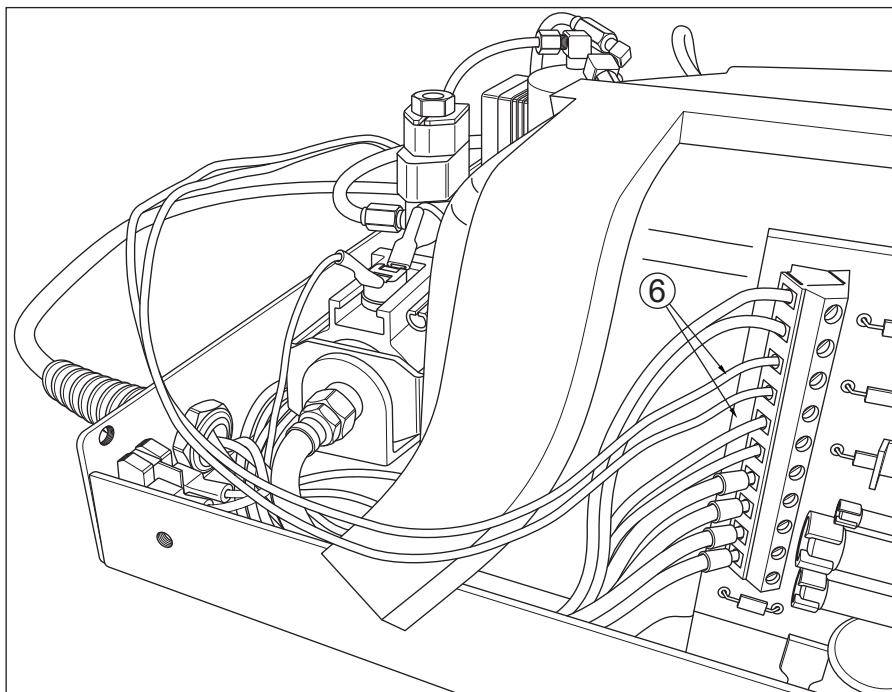
Statim Unit with Cover Removed

(Statim 2000 unit shown, 5000 model will look slightly different)





Statim 2000 unit shown, 5000 model will look slightly different



Statim 2000 unit shown, 5000 model will look slightly different

1. Turn power to Statim off.
2. Remove cassette to depressurize residual steam pressure for safety.
3. Wait until Statim is cool (approx. 20 minutes).
4. Disconnect copper tubing.
5. Disconnect plastic tubing.
6. Disconnect wires from connector on circuit board.
7. Remove existing solenoid assembly and sheet metal bracket.
8. Reconnect solenoid assembly using new parts including new copper tubing and connect wires to circuit board.