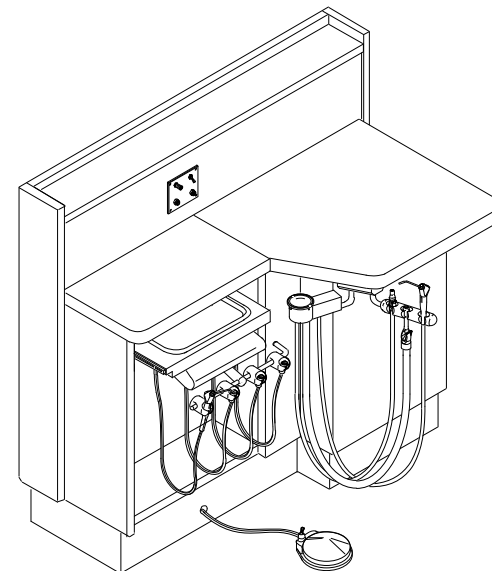




Committed To Innovation

**Owner's Manual for the
System 6000, Model #6560**



Contents

Section One: Asepsis Automatic Control	Page 1
Operation and Features	Page 1
Adjustments	Page 2
Section Two: Foot Control	Page 4
Section Three: Cleaning and Maintenance	Page 5

Do not use powdered cleansers, scouring pads, or abrasive scrubbers on any of the finished metal surfaces in this unit (for example, the Quick-Clean syringe or the foot control disc). Sodium Hypochlorite will also damage these surfaces.

Control Head

The control head and other components of the system can be cleaned with any commonly available surface disinfectant.

Handpiece Flush

The handpiece flush toggle runs a larger than normal amount of system water through the handpiece tubings, and through the handpieces if they are attached.

To flush the system, hold all of the water-cooled handpieces (or just the tubings) over a basin or sink. Make sure the water will be directed into the receptacle. Pull and hold the flush toggle to the on position. The toggle snaps back to the off position when released. The Center for Disease Control and the American Dental Association can provide recommendations on when to flush your system, and for how long.

adjustment.

To determine the recommended drive air pressure for your handpieces, refer to the handpiece manufacturer's literature.

Drive air adjustment screws are located on the control block, inside the control head.

Remove the two screws on the underside of the control head and lift the cover to expose the control block. The drive air pressure gauge is next to it (see *figure 2*).

Install a bur in the handpiece you are going to adjust. Trace the tubing from the handpiece to the control block to determine which adjustment screw will affect the handpiece you have selected. Position the screwdriver in the adjustment screw. Press on the foot control disc until the handpiece is running at maximum speed.

Turn the adjustment screw counter clockwise until the pressure gauge reads a little higher than the manufacturer's recommendation. Then turn the screw clockwise until the gauge indicates the recommended pressure.

Repeat this procedure for each handpiece.

Section Two: Foot Control

Pressure to any part of the foot control disc provides drive air to the active handpiece. Increased pressure provides increased drive air. Stepping on the foot control also turns on air and water coolant.

Water coolant can be shut off by flipping the wet/dry toggle on the foot control to the off position (away from the blue dot).

Section Three: Cleaning and Maintenance

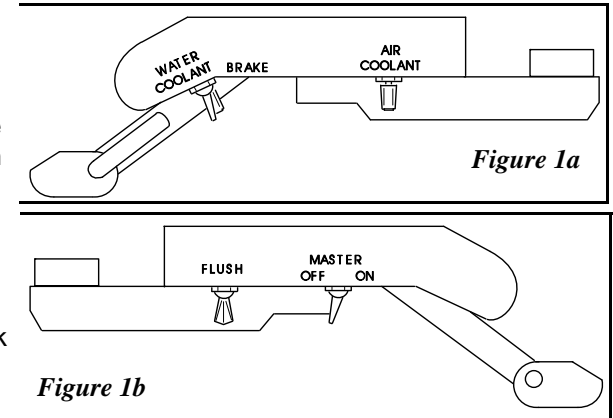
Note

Section One: Asepsis Automatic Control (Figure 1)

Operation and Features

Handpiece Holders

The handpiece holders on the control head are automatic. With the master air toggle in the on position, the handpiece will be active as soon as you pick it up. Speed is then controlled by pressing on the foot control.



The position of the handpiece holders is adjustable. See the section below on adjustments.

Controls

The **master on-off toggle** supplies air and water to the entire system. On the underside of the control head, it is located on the left side toward the front.

There is a **water coolant flow control knob** for each of the three handpieces, also located on the underside of the control head, along the right front side. They are arranged in the same order as the handpiece holders/tubings.

The **air coolant flow control knob** is on the right side of the control head, toward the back.

The **drive air pressure controls** are located inside the control head, on the control block. Drive air pressure and coolant flow should be adjusted according to the handpiece manufacturer's specifications.

The **handpiece flush toggle** is located behind the master on-off. See the section on cleaning and Maintenance for instructions.

For **access to the inside of the control unit**, locate two screws on the underside of the unit, toward the front. Use a 1/8" hex key to remove the screws. The bottom of the control unit will now hinge down to expose the control block, pressure gauge and plumbing.

Syringe

The Rear Delivery Unit comes with a pre-installed Deluxe Autoclavable Syringe. The holder for the syringe is on the far left side of the tool bar. An instruction booklet is provided.

Adjustments

Syringe Block

Adjustments to the syringe air and water flow are made on the syringe block. The block is located inside the control head, in front of the drive air pressure gauge (see *figure 2*).

Handpiece Holders

The handpiece holders are attached to the tool bar with a set screw. To reposition a holder, loosen the screw in the bottom of the holder, position as desired, and retighten the screws. You will need a 3/16" hex key.

Handpiece Coolant Flow Control

Note

All of the following adjustments should be made with a bur in the handpiece. Running a handpiece without a bur installed can damage the handpiece.

Air and water coolant adjustments are made with the air and water coolant flow control knobs. Your handpieces must be in place in order to make these adjustments.

Install a bur in one of the handpieces.

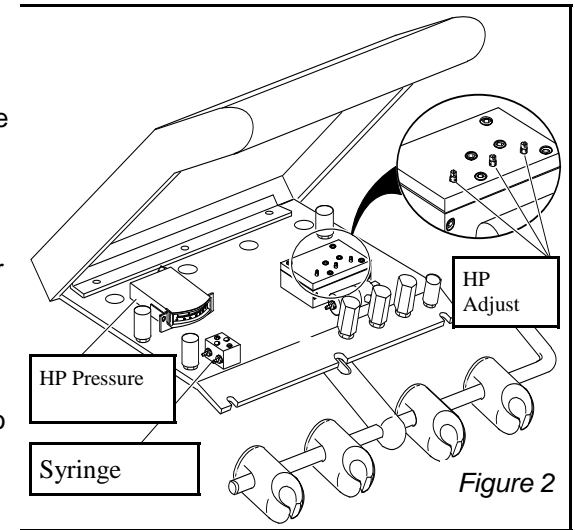
Air Coolant

Place the wet/dry foot control toggle in the dry position (away from

the blue dot).

Press on the foot control disc until the handpiece is running at half speed. While the handpiece is running, turn the air coolant flow control knob to provide a strong flow of air. Turn the knob counterclockwise to increase the flow; turn it clockwise to decrease the flow.

This adjustment affects all three handpieces.



Water Coolant

Water coolant flow adjustments are made independently for each handpiece.

To adjust water coolant flow, move the wet/dry toggle on the foot control to the wet position (toward the blue dot).

Press on the foot control disc until the handpiece is running at half speed.

While the handpiece is running, turn the corresponding water coolant flow control knob to provide a fine mist of water around the bur (the knobs are arranged across the bottom of the control head in the same order as the handpiece holders/tubings). Very little water coolant is required. Turn the knob counterclockwise to increase the flow, clockwise to decrease the flow.

Repeat this procedure for the other two handpieces.

Drive Air Pressure

You will need a small, flat blade screwdriver to make this