

module so that the holes in the cover align with the spout connections on the module. On the module, there is a small stud next to the hole for the cup-fill spout. Make sure it goes through the hole provided for it in the cover. The bowl fits into a cut-out in the end of the cover.

The cup-fill and flush spouts will hold the cover in place.

Install the cup-fill spout. Just above the o-rings on the spout, there is a flange. On the underside of the flange, there is a small hole which mates with the stud on the module to ensure proper placement of the spout over the cover. Make sure the stud and the hole are aligned, then press the spout into place.

Install the flush spout. Press the spout into its mounting hole next to the bowl until the flange on the spout contacts the cover. The flush spout swivels to allow a variety of positions in the bowl.

Extend the assistant's instrument tool bar and place the HVE, the SE and Autoclavable syringe in the holders.

5. Connect Assistant's Instruments

Route the gray lines from the SE and the HVE through the bottom of the PMU and connect:

- ◆ 1/2" gray from HVE to 1/2" fitting on the solids collector.
- ◆ 1/4" gray from SE to 1/4" fitting on the solids collector.
- ◆ Syringe lines go to the syringe block. The block will have red and gray tubing attached to it. Connect the ribbed line from the syringe to the barb opposite the gray tubing (air). Connect the smooth syringe line to the barb opposite the red tubing (water).

6. Make Tubing Connections in the Floor Box

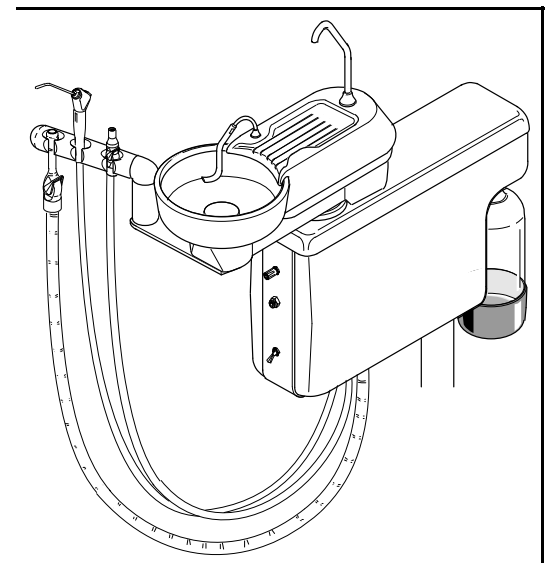
Connect:

- ◆ 1/2" gray drain tube from the solids collector to vacuum source.
- ◆ Corrugated drain tube from cuspidor to gravity drain.



Committed to Innovation

Installation Instructions for the System 6000, Model #6600



The 6600 system comes with the following items:

- ◆ Post mounted utility center, including:
 - Vacuum canister
 - Self-contained water system
- ◆ Gravity Drain Cuspidor, with bowl mounted assistant's instruments.

Mounting post, 40", 13½" or 28" (optional).

You will need the following tools and materials to install the system:

Level, preferably with built-in magnet
5/32", 1/8" and 3/16" hex keys
3/4" open end or box end wrench
1/4" and 1/8" tubing sleeves and sleeve tools.

- 1. Install the chair adaptor.** Follow the chair manufacturer's recommendations.
- 2. Install the post on the chair mount bracket (Figure 1).**

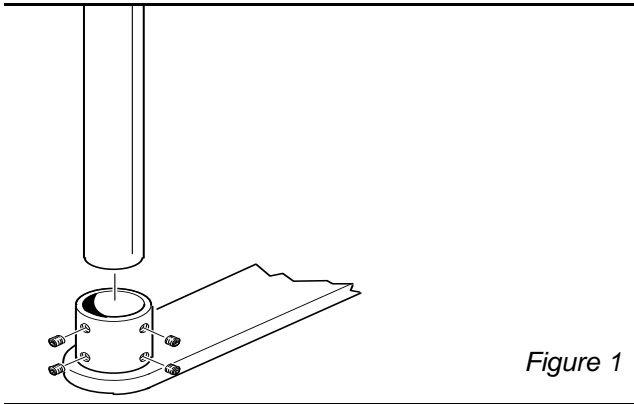


Figure 1

Place the post in the chair mount collar. Make sure the end of the post with the aluminum crush bearing goes into the collar.

Position the post in the collar so that the slot for the umbilical faces the head of the chair. This will ensure proper placement of the PMU and other components when they are installed.

With a level and a hex key, adjust the eight set screws in the chair mount bracket to set the post in a perfectly vertical position. Tighten the set screws.

3. Install the post mount utility center on the post (Figure 2).

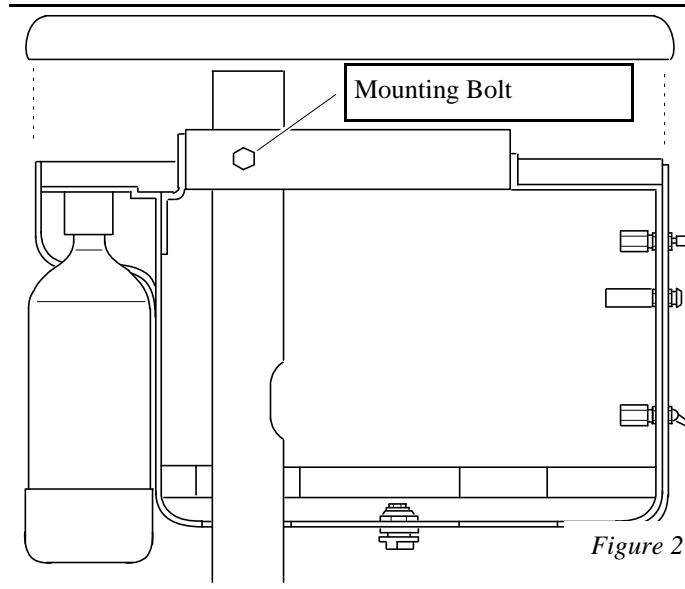


Figure 2

In order to install the post mount utility center (PMU), you will need to remove the side covers: On the bottom of the PMU, locate two black, 1/2" diameter knobs. Turn these counterclockwise to loosen. Loosen the knobs until you feel the threads disengage; they are held in place with a washer so they will not fall out.

Pull the side covers off of the PMU and set them aside.

Slide the PMU onto the mounting post and position it so that:

- ◆ The hole in the post for the umbilical is inside the PMU.
- ◆ There is at least 1½" of clearance between the bottom of the PMU housing and the chair mount collar.
- ◆ The cuspidor clears the chair arm.

Within these limits, height of the PMU can be set to the user's preference.

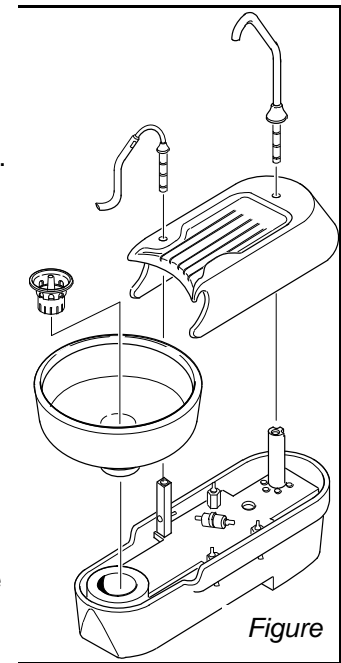
The cuspidor module on the PMU should face the head of the chair. Tighten the mounting bolt with a 3/4" wrench. Leave the covers off so you can make tubing connections after all of the system components are installed.

4. Install the cuspidor (Figure 3).

The cuspidor module is already installed on the PMU and plumbing connections have already been made. However, the bowl, spouts and cover are shipped separately to protect them from damage.

To install the bowl, simply press the bottom of the bowl fitting in the gray drain fitting in the cuspidor module. There are two large black o-rings in the bottom of the cuspidor bowl.

Press until you feel the o-rings seat securely into the drain fitting. Lay the cover over the top of the cuspidor



Figure