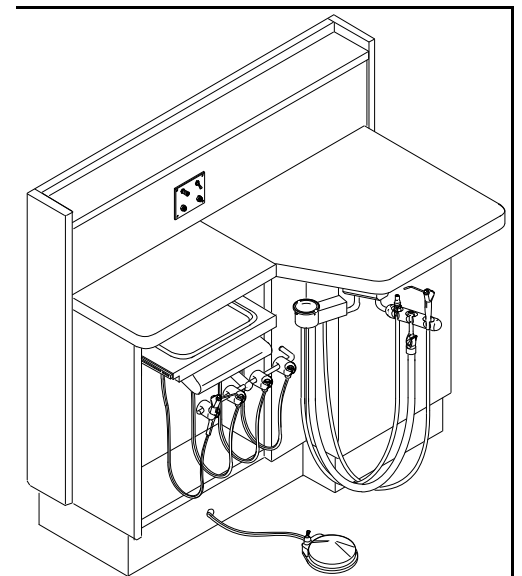


Figure 3



Committed to Innovation

**Installation Instructions for the
System 6000, Model #6560**



The following items are contained in this package.

- ◆ One rear delivery control head assembly with handpiece tubings and umbilical installed.
- ◆ One Deluxe Autoclavable Syringe.
- ◆ One standard syringe kit.
- ◆ One wet/dry foot control.
- ◆ One hardware kit.

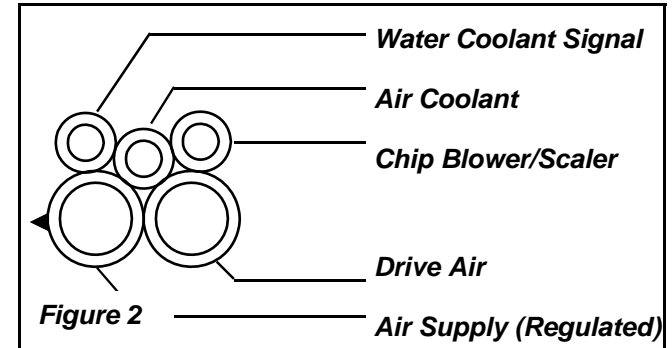
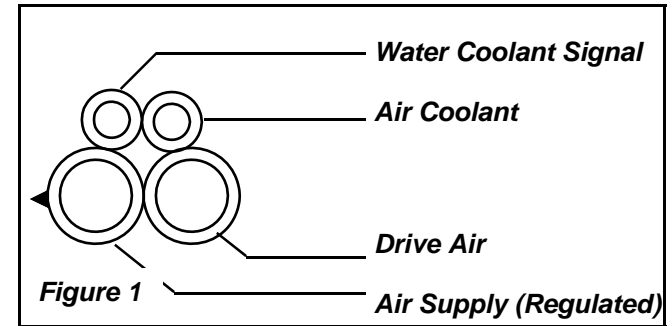
You will need the following tools and materials to install the rear delivery unit:

- ◆ 1/4" and 1/8" sleeve tools.
- ◆ Hex key: 1/8"

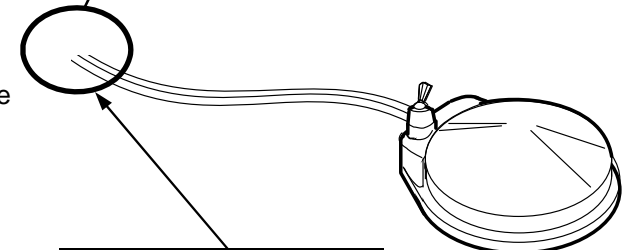
1. Remove the unit assembly from the carton and set the hardware package aside.
2. Open the unit cover by removing the two hex screws on the underside of the unit. The cover will hinge up to allow access to the mounting holes.
3. If your cabinet has pre-installed tee-nuts, attach the unit to the breadboard with four 10-24 x 1/2" screws. If you need to drill mounting holes, see figure 3 on the back side of this page.
4. Install the utility center sub-assembly. A separate instruction sheet is provided.
5. Route the umbilical over the panel behind the breadboard, and down to the utility center.
6. Route the foot control tubing through the hole in the base of the front panel of the cabinet and into the utilities area.
7. Make tubing connections in the utility center as follows (see figures 1 and 2 opposite for foot control tubing I.D.):

- ◆ The 1/8" orange line labelled "A" is unconnected in the control head and can be used for any application. If used for a chip blower/scaler, connect to the 1/8" chip blower/scaler output. In the control head, connect to air coolant.
- ◆ Foot control air supply (ribbed line) to regulated air supply (at the air regulator).
- ◆ Foot control drive air (un-ribbed line) to the 1/4" gray tubing from the control head (drive air). Both of these lines are labelled "1."
- ◆ 1/8" orange to foot control 1/8" water coolant signal line. Both of these lines are labelled "3."
- ◆ 1/8" gray from control head to regulated air supply (at the air regulator).
- ◆ 1/8" clear from control head to unregulated air supply (at the air master shut-off valve).
- ◆ 1/8" yellow from control head to the pilot air inlets on top of the shut-off valves. Both of these lines are labelled "5."
- ◆ 1/8" red from control head to regulated water (at the water regulator).
- ◆ 1/8" white from control head to foot control 1/8" air coolant line (regulated). Both of these lines are labelled "2."

8. Open the manual shut-off valves in the utility center. Adjust regulated air to 80 p.s.i., and regulated water to 40 p.s.i. The mini-regulators are non-relieving. When adjusting for a lower pressure, make the knob adjustment, then press the syringe button to relieve pressure and give an accurate gauge reading.
9. On the underside of the unit, the master on-off is on the left. The handpiece flush toggle is behind the master on-off. Air and water coolant flow control knobs are located on the right underside of the unit, toward the rear. The toggle for the pneumatic arm brake is on the right underside, in front of the coolant flow control knobs.



Free end of the foot control tubing will look like these diagrams as it faces



Route the free end of the foot control tubing through the bottom of the PMU.