

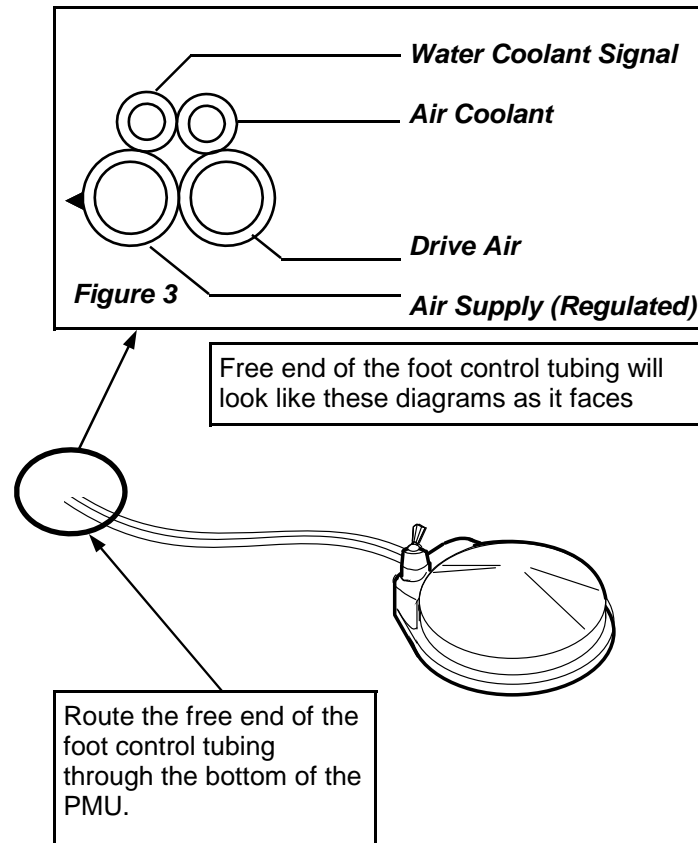
- ◆ Yellow line to regulated air.
- ◆ Blue line to regulated water.

b. For the assistant's instrument package connect:

- ◆ Ribbed syringe line to regulated air.
- ◆ Non-ribbed syringe line to regulated water.
- ◆ 5/8" umbilical to vacuum.

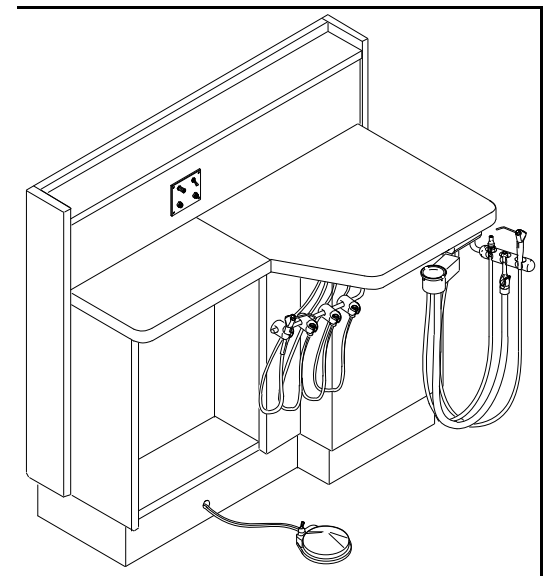
c. For the under-counter unit and foot control connect as follows (see *figure 3* for foot control tubing I.D.):

- ◆ Foot control air supply (ribbed line) to regulated air (at the air regulator).
- ◆ Foot control drive air (un-ribbed line) to 1/4" gray from the control head (drive air). Both of these lines are labelled "1."
- ◆ 1/8" orange from control head to 1/8" foot control water coolant signal line. Both of these lines are labelled "3."
- ◆ 1/8" gray from control head to regulated air (at the air regulator).
- ◆ 1/8" clear from control head to unregulated air supply (at the air master shut-off valve).
- ◆ 1/8" yellow from control head to the pilot air inlets on top of the shut-off valves. This line is labelled "5."
- ◆ 1/8" red from control head to regulated water.
- ◆ 1/8" white from control head to 1/8" air coolant line from foot control. Both of these lines are labelled "2."



Committed to Innovation

Installation Instructions for the System 6000, Model #6565



The following items are contained in this package:

- ◆ Under-the-counter control head assembly, with handpiece tubings and umbilical attached.
- ◆ Utility center sub-assembly.
- ◆ Wet/dry foot control.
- ◆ Quick Clean standard syringe with kit for the doctor's station.
- ◆ Doctor's hanger bar with mounting block and plate.
- ◆ Hardware package.
- ◆ Assistant's instrument package including:
 - Quick Clean standard syringe with kit.
 - HVE assembly.
 - Saliva ejector assembly.
 - Vacuum canister/arm assembly.
 - Instrument holder bar.
 - Mounting block and plate.
 - Air/water accessory panel.
 - Template for air/water accessory panel hole pattern.

You will need the following tools to complete the installation:

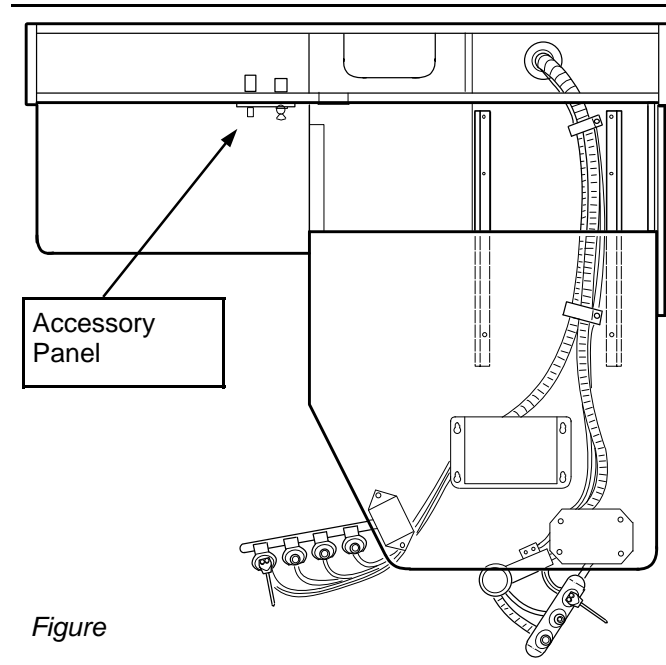
- ◆ Phillip's head screwdriver.
- ◆ 1/4" and 1/8" sleeve tools.
- ◆ 3/8" socket wrench.

1. The accessory panel is designed to fit pre-drilled holes in either the A-6 or A-16 Belmont cabinet, as shown in figure 1. If the panel is to be mounted to any other cabinet, use the enclosed template for cutting and drilling the necessary holes. Mount the panel using the four nuts and washers provided in the hardware package.

NOTE

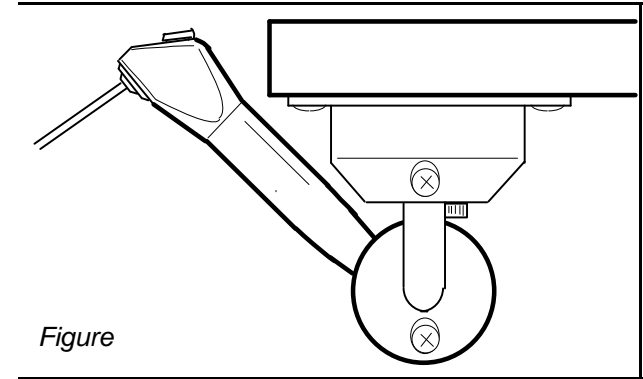
It is important to position and orient the components correctly to ensure proper foldback of the umbilical tubings. Refer to figure 1 for location and orientation of the under-counter control head, the assistant's instrument package, and the instrument hangers.

2. Use the 10-24 x 1/2" screws from the hardware package to mount the doctor's hanger bar and the assistant's instrument package in the locations shown in figure 1.



Figure

3. Two adjustments allow proper positioning of the assistant's instrument package. They are orientation of the stop screw and angle of the holder bar. Refer to figure 2 for these adjustments.
4. Use #10 wood screws to mount the under-counter



Figure

control unit. Refer to figure 1 for proper location.

NOTE

The cable clamps and umbilicals must be positioned as shown in order to ensure proper foldback of the umbilicals when the counter-top is pushed in.

5. Install the cable clamps for the umbilical tubing, using # 10 wood screws in the pre-drilled holes. Refer to figure 1 for proper orientation of the clamps. Position the clamps as shown, with the counter-top in the fully extended position.
6. Route the umbilical from the under-counter control unit, together with the syringe tubing and the umbilical from the assistant's instrument package into the hole provided in the back of the cabinet (figure 1), and down to the utility center.
7. Route the blue and yellow tubing from the accessory panel along the back of the cabinet and down to the utility center through the same holes used for the other umbilicals.
8. Route the foot control tubing through the hole provided in the front of the cabinet base, and into the utility center.
9. Install the utility center sub-assembly. A separate instruction sheet is provided.
10. Make tubing connections in the utility center:
 - a. For the accessory panel, connect: